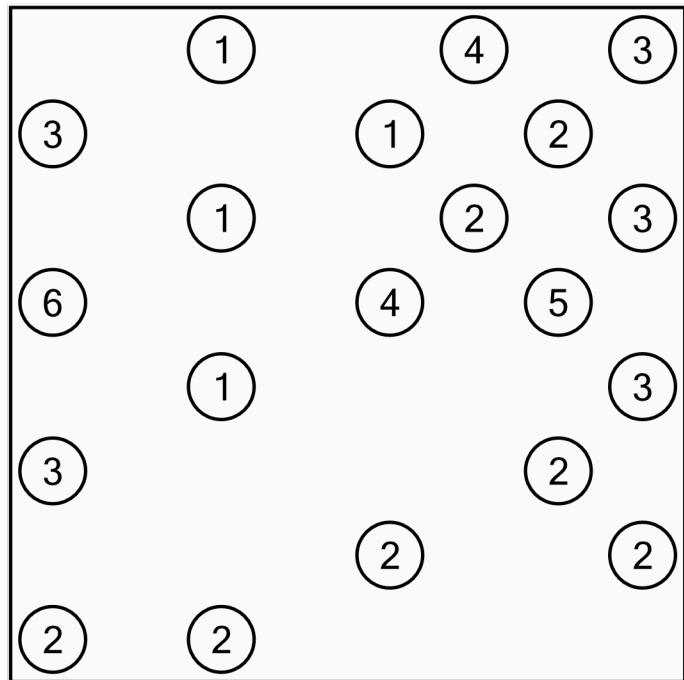


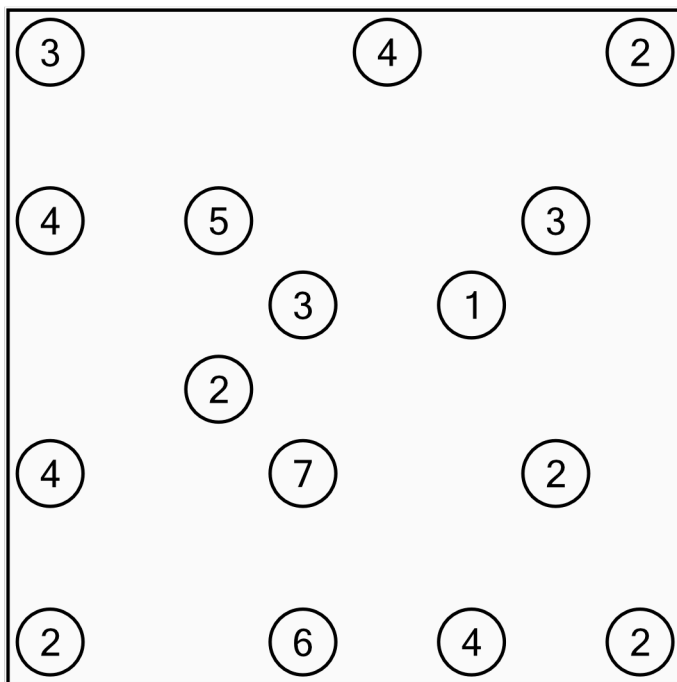


Hashiwokakero Taster

1



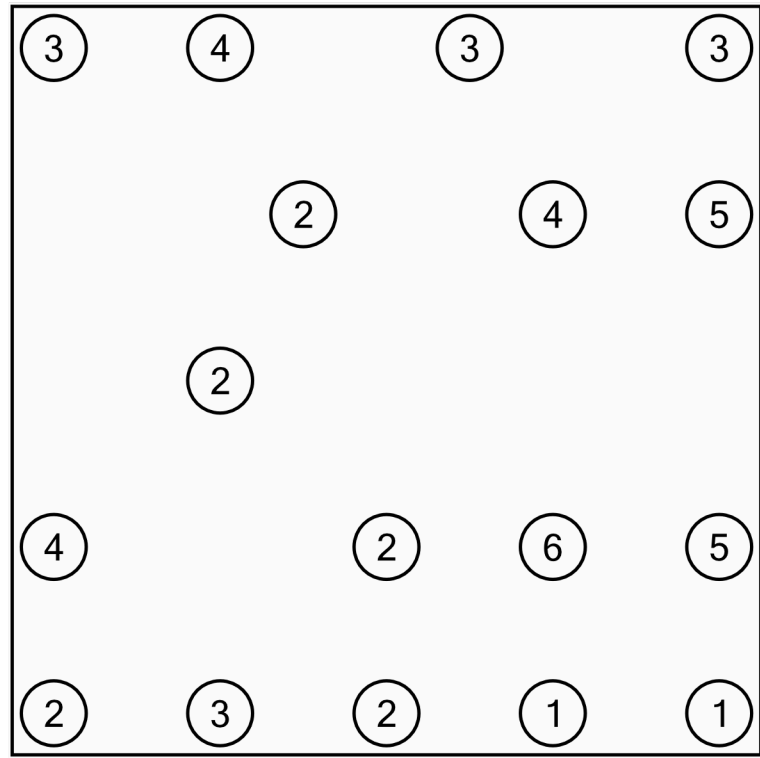
2



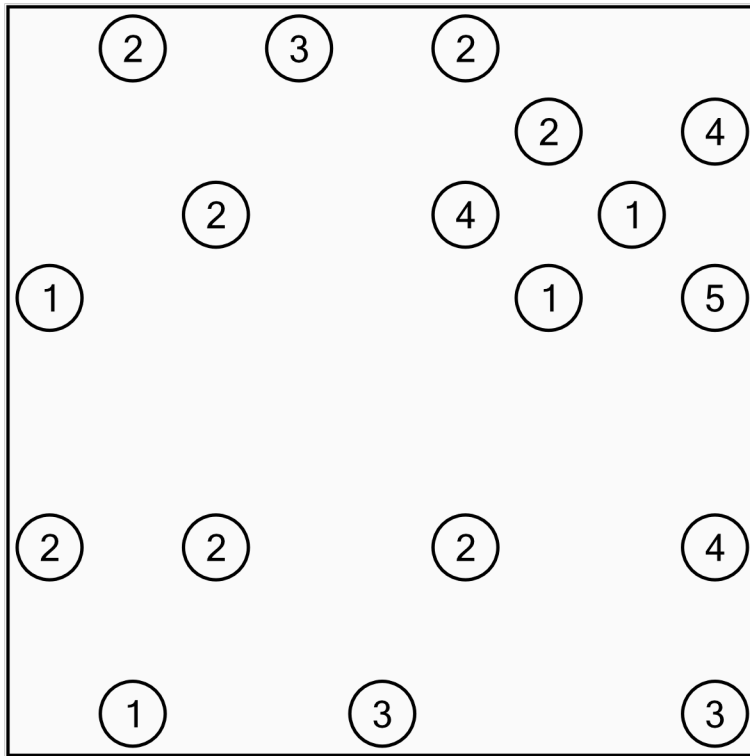


Hashiwokakero Taster

3



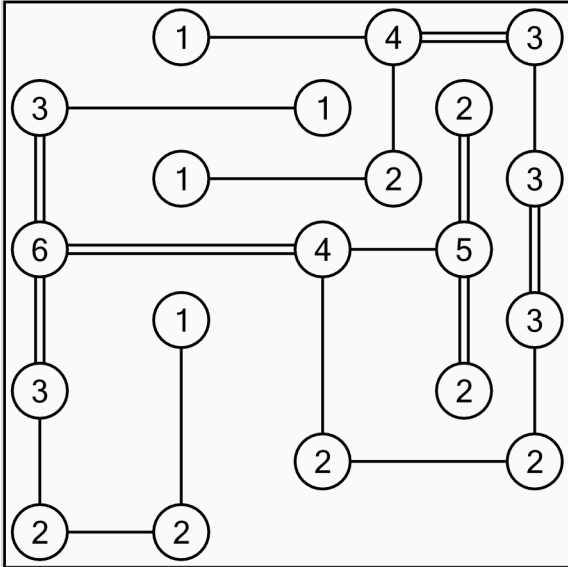
4



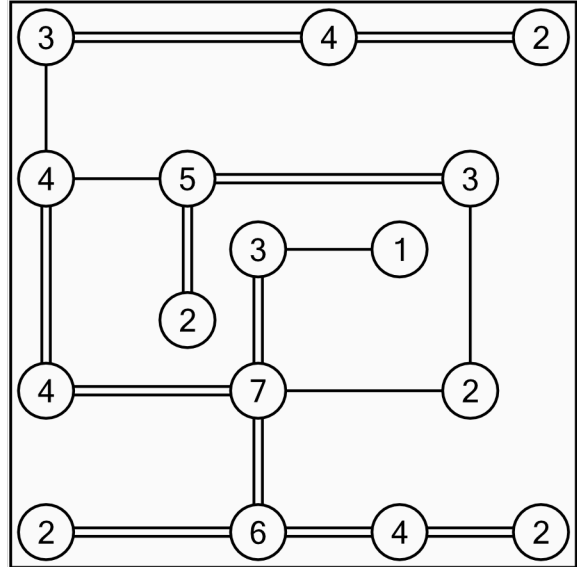


Hashiwokakero Taster - Solutions

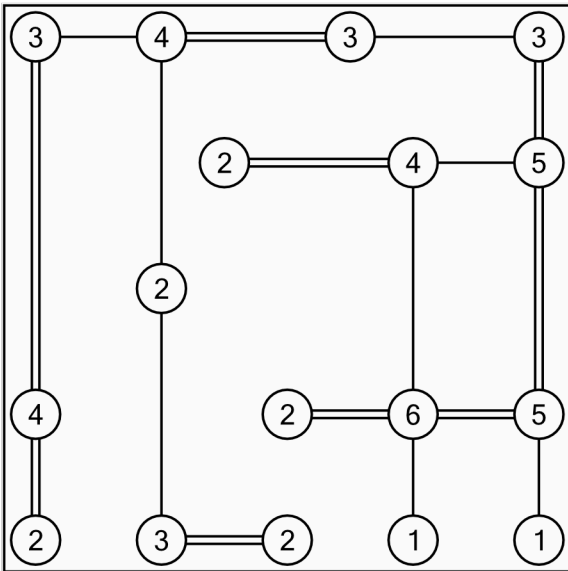
1



2



3



4

